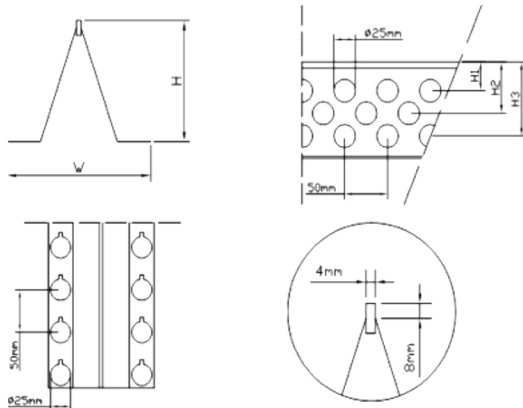


C125 – CombiForm Screed Rail



- Minimum slab depth:
 $125 + 1,5 \times \text{max stone diameter} = \dots\dots\dots \text{mm}$
 (i.e. $125 + 1,5 \times 24 = 161 \text{ mm} \Rightarrow$ minimum 161 mm slab depth))
 Recommended max slab depth: 200 mm

- Material: Steel 1 mm thick & PE plastic strip
- Crack allocation control
- Easy and accurate levelling
- Static load capacity 600 kg (support c-c 1100 mm)
- Temperature range -30°C - +80°C
- True Joint – Dowel bar holder
- Form system

Art.no	H(mm)	W(mm)	H1(mm)	H2(mm)	H3(mm)	Length(mm)	Weight/rail (kg)
23C12535	125	135	32	64	109	3500	6,6
23C12522	125	135	32	64	109	2200	4,2

Recommended accessories

- Locking clips for reinforcing and assuring height of the profile (included in std 35 m box)
- Adjustment screws for easy and quick alignment
- Ground plate to ensure stable support
- Top Extender, 30 mm, for extra thick concrete layer &/or design.
- Adjustment tool for easy levelling

